

 <b>A340</b> <small>SIMULATOR</small> <b>FLIGHT CREW OPERATING MANUAL</b>	<b>AIRCRAFT GENERAL</b>		1.20.00	P 1
	CONTENTS		SEQ 001	REV 08

**20.00 CONTENTS**

**20.10 INTRODUCTION**

– GENERAL . . . . . 1

**20.20 GENERAL ARRANGEMENT**

- GENERAL ARRANGEMENT . . . . . 1
- PRINCIPAL DIMENSIONS . . . . . 1
- UNPRESSURIZED COMPARTMENTS . . . . . 2
- ANTENNAS LOCATION . . . . . 2
- GROUND MANEUVERING . . . . . 3
- GROUND SERVICE CONNECTIONS AND PANELS . . . . . 4

AIRBUS TRAINING  <b>A340</b> SIMULATOR FLIGHT CREW OPERATING MANUAL	<b>AIRCRAFT GENERAL</b>  INTRODUCTION	1.20.10	P 1
		SEQ 001	REV 08

<b>GENERAL</b>
----------------

The A340 is a subsonic long range civil transport aircraft.

**ENGINES**

The aircraft has four high by-pass turbofan engines mounted under the wings.

**COCKPIT**

The cockpit is arranged for a two member-crew. It also has a place for two observers.

**CABIN**

The layout for passenger seating may be varied to suit operating requirements. The certified maximum is 375 seats.

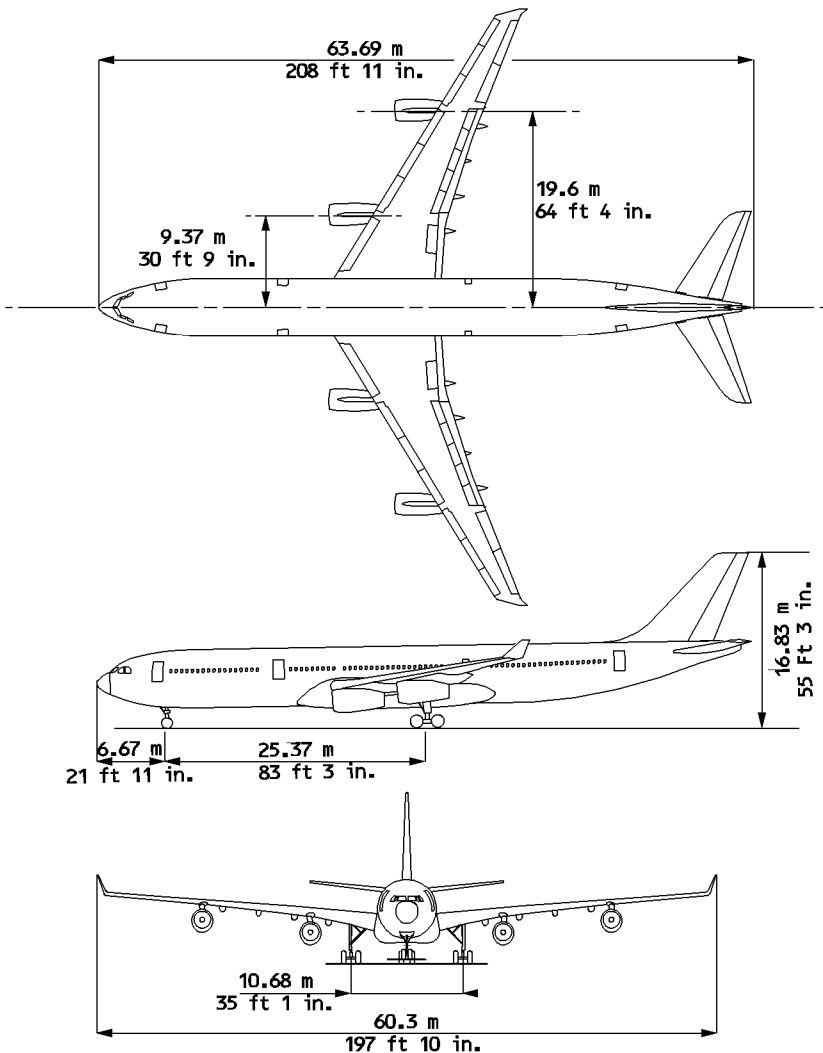
**CARGO**

Three cargo compartments are under the cabin floor.

**GENERAL ARRANGEMENT**

This subchapter gives the principal dimensions of the aircraft, the location of unpressurized areas, antennas, ground service connections and the ground maneuvering characteristics.

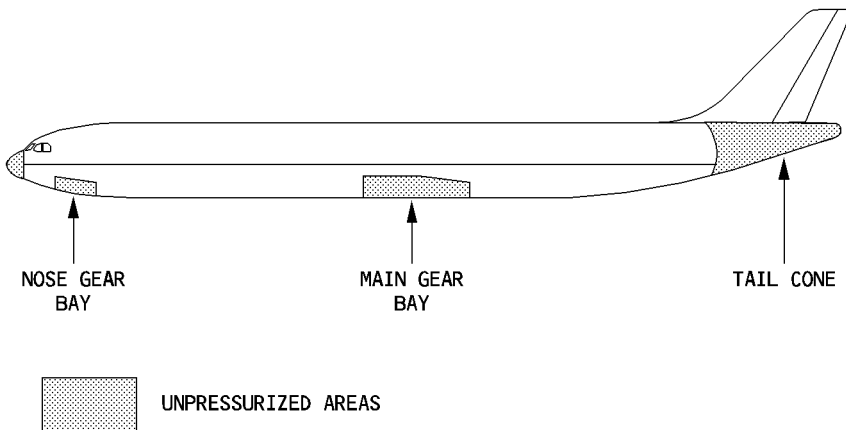
**PRINCIPAL DIMENSIONS**



FFCS-01-2020-001-A001AA

**UNPRESSURIZED COMPARTMENTS**

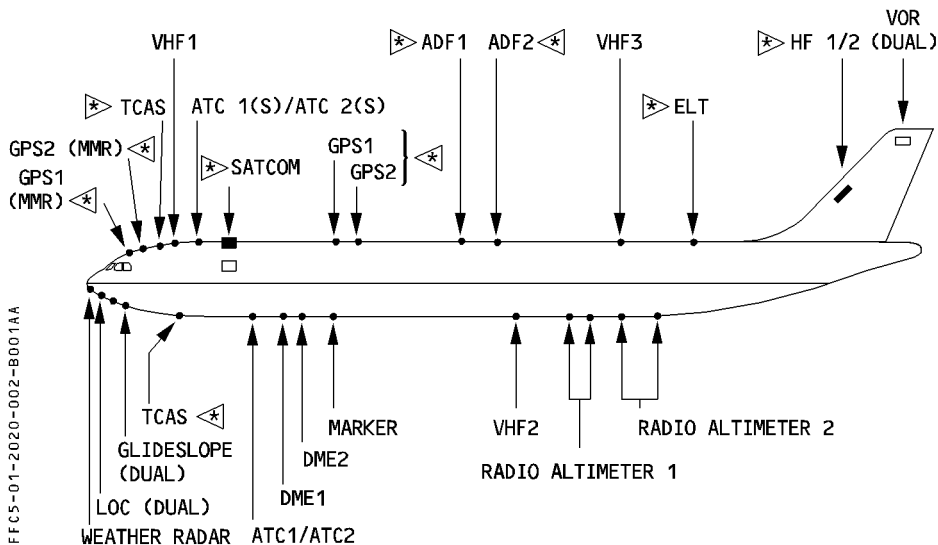
FFCS-01-2020-002-A001AA



**ANTENNAS LOCATION**

R

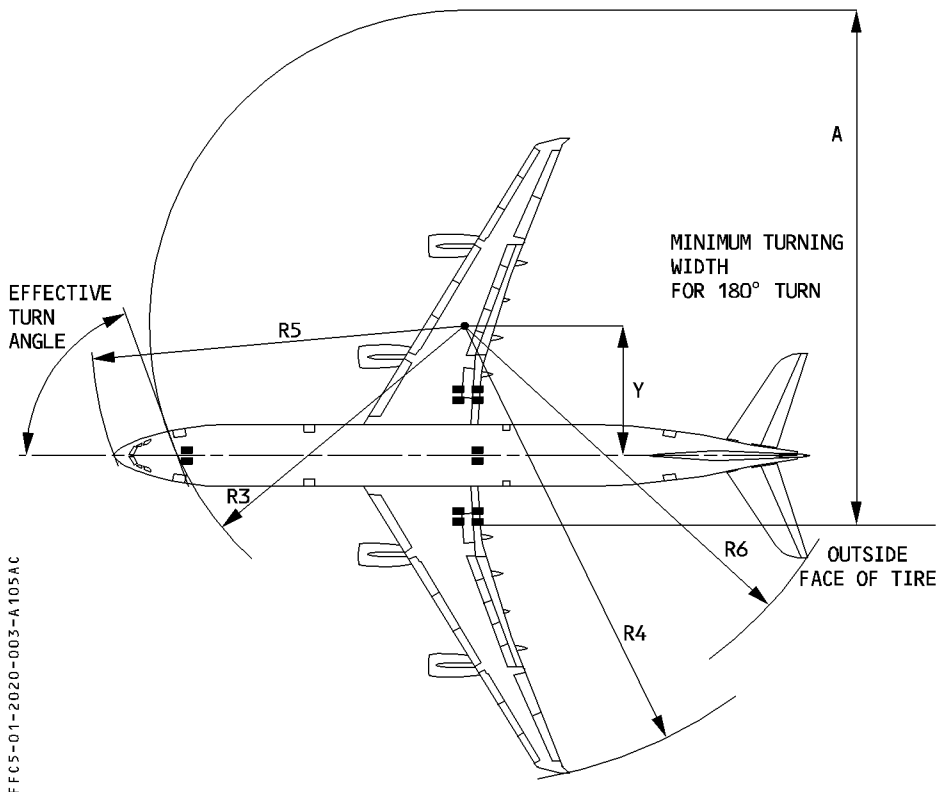
FFCS-01-2020-002-B001AA





## GROUND MANEUVERING

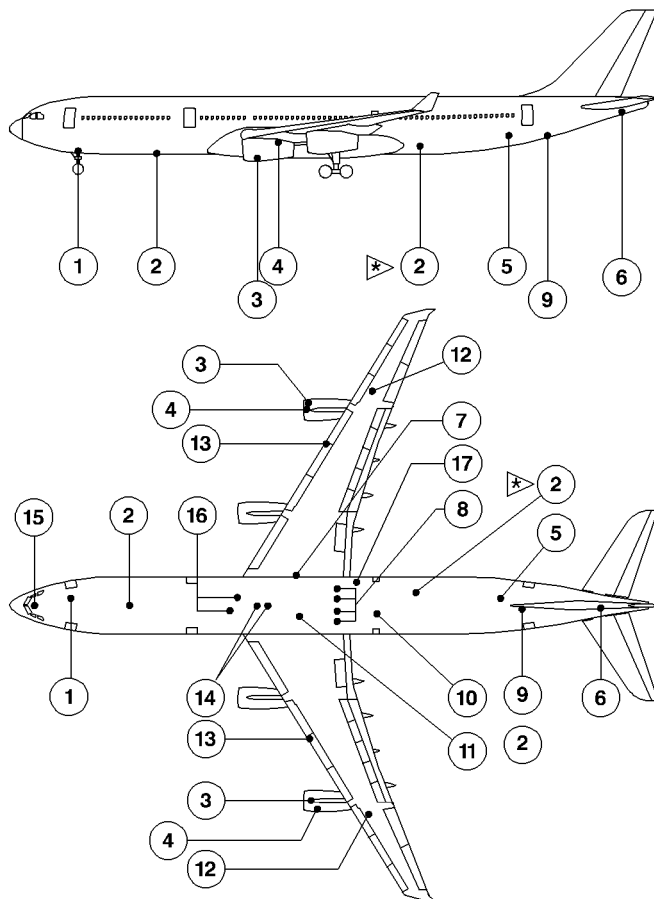
### MINIMUM TURNING RADII



FFCS-01-2020-003-A105AC

NWS limit angle	Y	A	R3	R4	R5	R6
72°	13 m 43 ft	48 m 157 ft	29 m 100 ft	44 m 144 ft	35 m 114 ft	39 m 128 ft

The above figures assume symmetric thrust and no differential braking.

**GROUND SERVICE CONNECTIONS AND PANELS**

FFCS-01-2020-004-A001AA

R ① External ground power panel receptacle

② Remote water drain

③ IDG oil filling



- ④ Engine oil filling
- ⑤ Potable water filling
- ⑥ APU oil filling
- ⑦ Hydraulic ground power (yellow)
- ⑧ Air charging for hydraulic accumulators
- ⑨ Toilet servicing
- ⑩ Hydraulic reservoir filling and ground power (green)
- ⑪ Hydraulic reservoir pressurization and ground power (blue)
- ⑫ Fuel gravity filling
- ⑬ Refuel/defuel couplings
- ⑭ HP ground air supply connectors
- ⑮ Oxygen system
- ⑯ LP ground air supply connectors
- R ⑰ Refuel/Defuel control panel