

 AIRBUS TRAINING <b>A320</b> SIMULATOR FLIGHT CREW OPERATING MANUAL	<b>AIRCRAFT GENERAL</b>	1.20.00	P 1
	CONTENTS	SEQ 001	REV 23

**20.00 CONTENTS**

**20.10 INTRODUCTION**

**20.20 GENERAL ARRANGEMENT**

- PRINCIPAL DIMENSIONS . . . . . 1
- UNPRESSURIZED COMPARTMENTS . . . . . 2
- ANTENNAS LOCATION . . . . . 2
- GROUND MANEUVERING . . . . . 3
- GROUND SERVICE CONNECTIONS AND PANELS . . . . . 4

 AIRBUS TRAINING A320 SIMULATOR FLIGHT CREW OPERATING MANUAL	<b>AIRCRAFT GENERAL</b>  INTRODUCTION	1.20.10	P 1
		SEQ 001	REV 34

## **GENERAL**

The A320 is a subsonic, medium-range, civil transport aircraft.

## **ENGINES**

The aircraft has 2 high bypass turbofan engines, mounted under the wings.

## **COCKPIT**

R The cockpit is arranged for a 2 member crew. It also has a place for 1 observer.

## **CABIN**

The passenger seating layout may be varied to suit operating requirements. The certificated maximum is 180 seats.

## **CARGO**

There are 2 cargo compartments under the cabin floor.

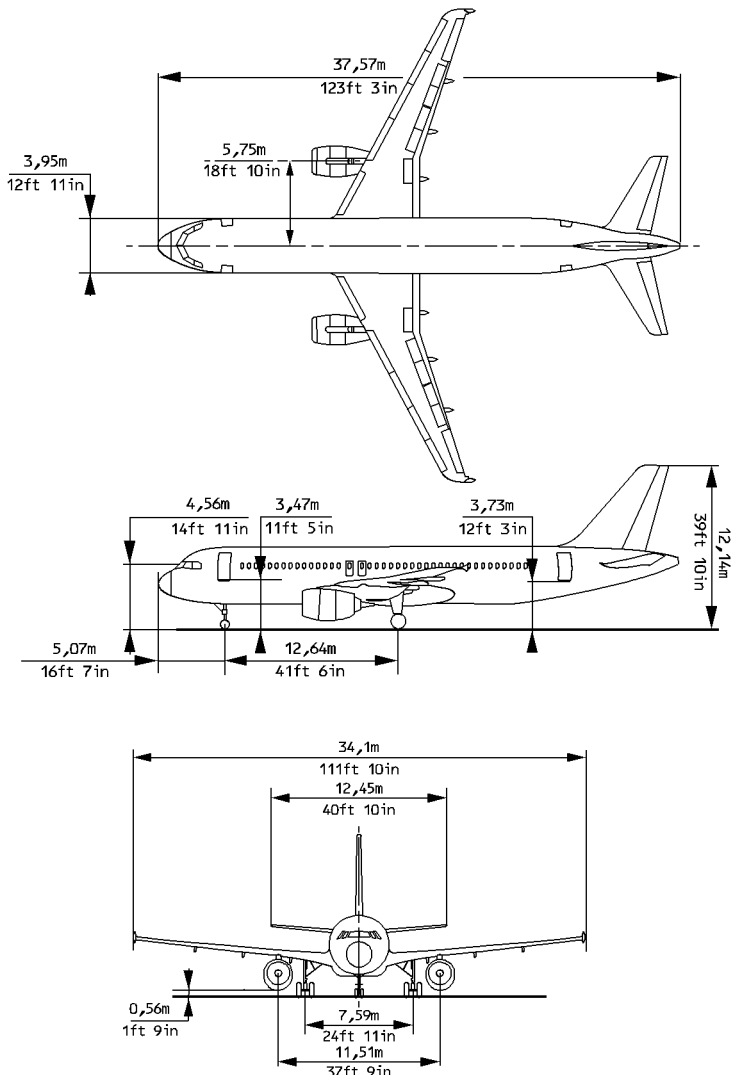


**GENERAL ARRANGEMENT**

This subchapter gives the principal aircraft dimensions, location of unpressurized areas, antennas, ground service connections, and ground maneuvering characteristics.

**PRINCIPAL DIMENSIONS**

R



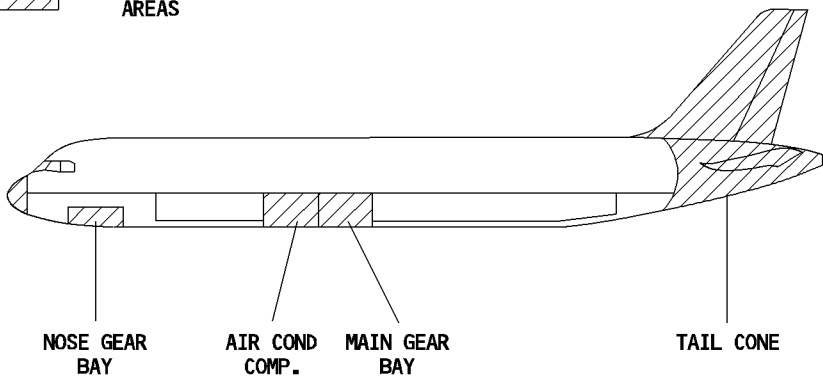
NFC5-01-2020-001-A001AA



UNPRESSURIZED COMPARTMENTS



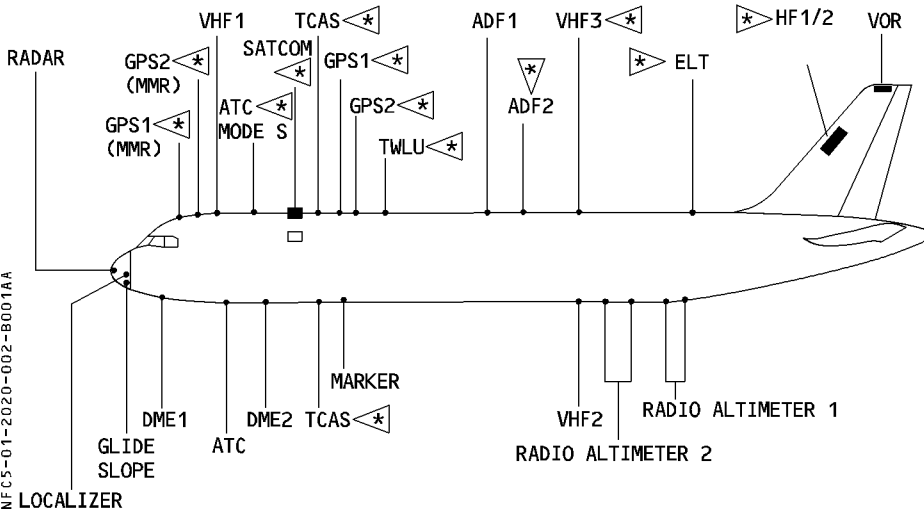
NFC5-01-2020-002-A001AA



ANTENNA LOCATIONS

R

NFC5-01-2020-002-B001AA

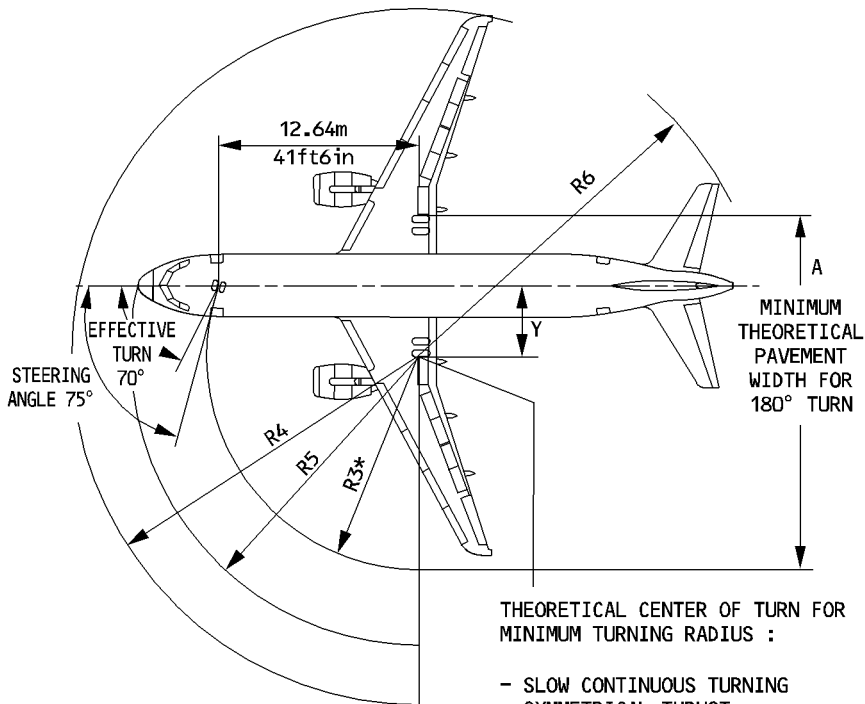




## GROUND MANEUVERING

R

### MINIMUM TURNING RADIUS



THEORETICAL CENTER OF TURN FOR  
MINIMUM TURNING RADIUS :

- SLOW CONTINUOUS TURNING
- SYMMETRICAL THRUST
- NO DIFFERENTIAL BRAKING
- DRY SURFACE

	Y	A	R3	R4	R5	R6
FT	15ft1in	75ft2in	45ft4in	72ft2in	60ft	71ft11in
M	4.60	22.90	13.81	21.99	18.30	21.91

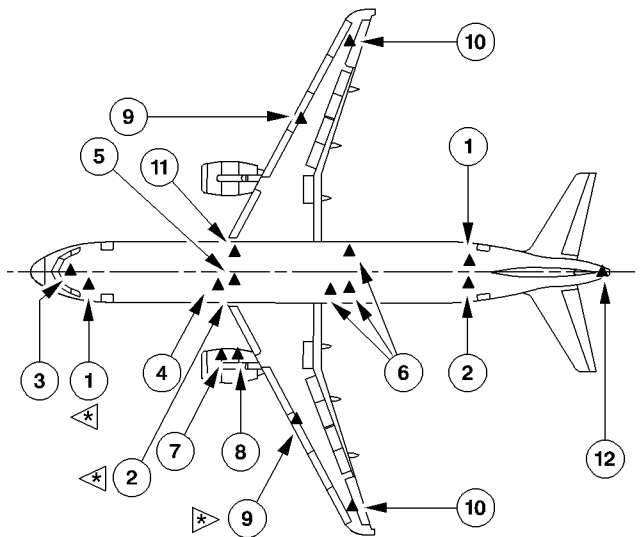
\* NOSE GEAR RADIUS (R3) MEASURED FROM OUTSIDE FACE OF TIRE

NFC5-01-2020-003-A100AA



## R GROUND SERVICE CONNECTIONS AND PANELS

NFC5-01-2020-004-A001AA



① Toilet servicing

R ② Water filling and/or draining

R ③ Electrical ground power receptacle

④ LP ground air supply connector

⑤ HP ground air supply connector

⑥ Hydraulic

⑦ IDG oil filling

⑧ Engine oil filling

⑨ Refueling/defueling

⑩ Gravity filling panels

⑪ Refueling/defueling panel

⑫ APU oil filling