



SMART COCKPIT.COM

A319/A320/A321

Airplane General



GENERAL

The A320 is a subsonic, medium-range, civil transport aircraft.

ENGINES

The aircraft has 2 high bypass turbofan engines, mounted under the wings.

COCKPIT

The cockpit is arranged for a 2 member crew. It also has a place for 2 observers.

CABIN

The passenger seating layout may be varied to suit operating requirements. The certificated maximum is 180 seats.

CARGO

There are 2 cargo compartments under the cabin floor.

GENERAL

The A321 is a subsonic, medium-range, civil transport aircraft.

ENGINES

The aircraft has two high bypass turbofan engines mounted under the wings.

COCKPIT

The cockpit is designed for a two-member crew. It also has a place for 2 observers.

CABIN

The passenger seating layout may vary, depending on operating requirements. The certified maximum is 220 seats.

CARGO

Two cargo compartments are under the cabin floor.

GENERAL

The A319 is a subsonic, medium-range, civil transport aircraft.

ENGINES

The aircraft has two high bypass turbofan engines mounted under the wings.

COCKPIT

The cockpit is designed for a two-member crew. It also has a place for 2 observers.

CABIN

The passenger seating layout may vary, depending on operating requirements. The certified maximum is 145 seats.

CARGO

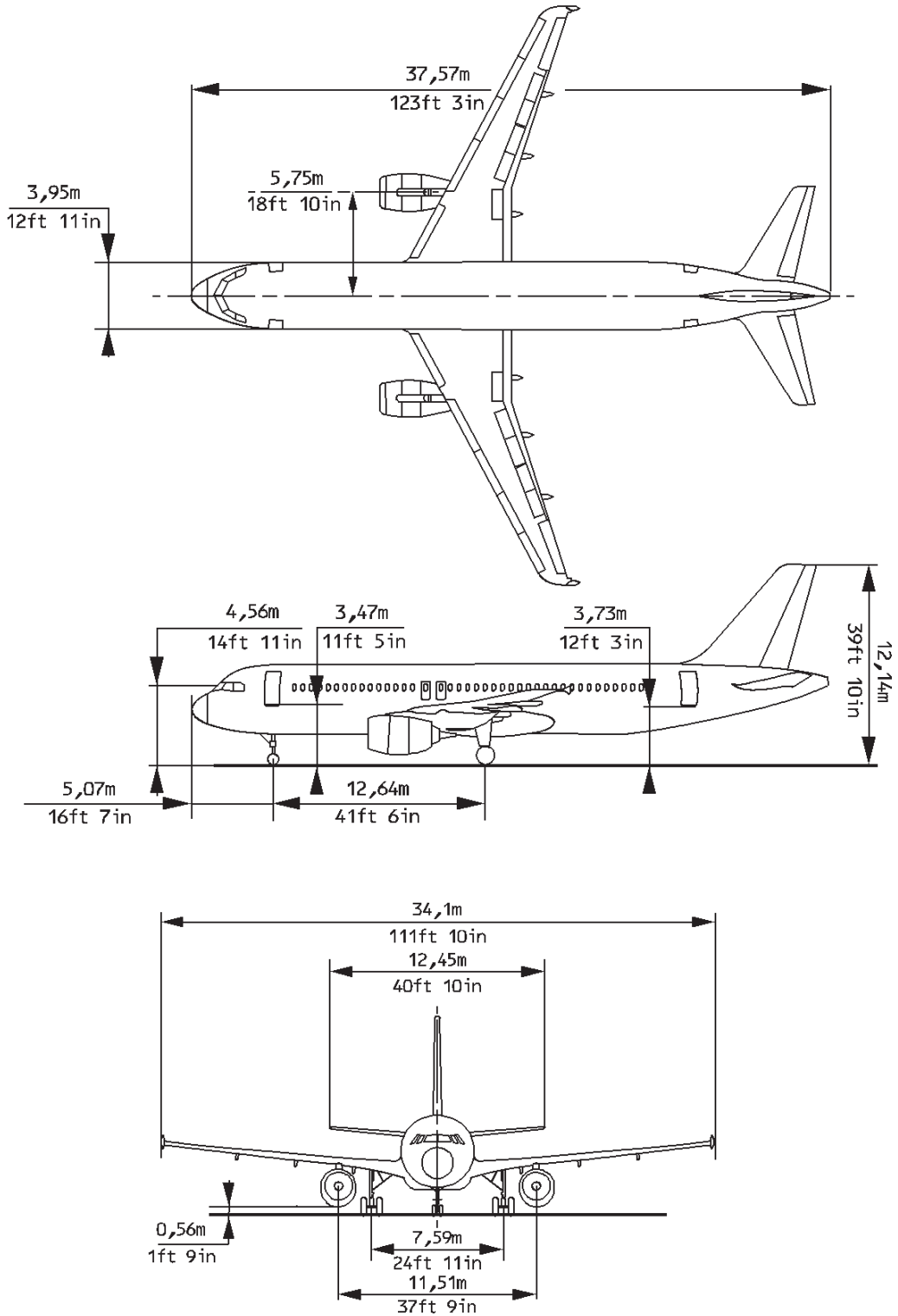
Two cargo compartments are under the cabin floor.

GENERAL ARRANGEMENT

This subchapter gives the principal aircraft dimensions, location of unpressurized areas, antennas, ground service connections, and ground maneuvering characteristics.

PRINCIPAL DIMENSIONS

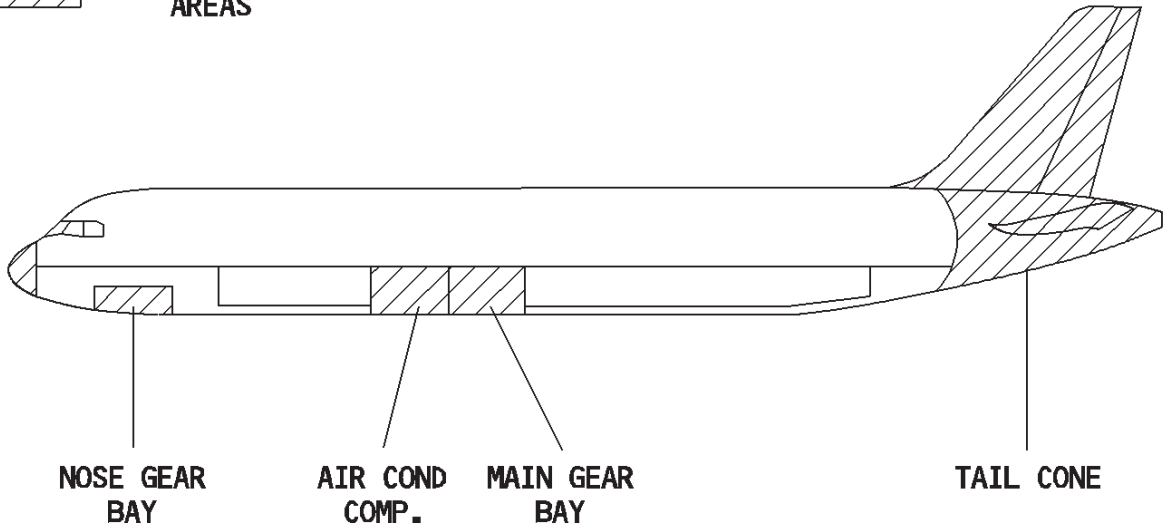
R



NFC5-01-2020-001-A001AA

UNPRESSURIZED COMPARTMENTS

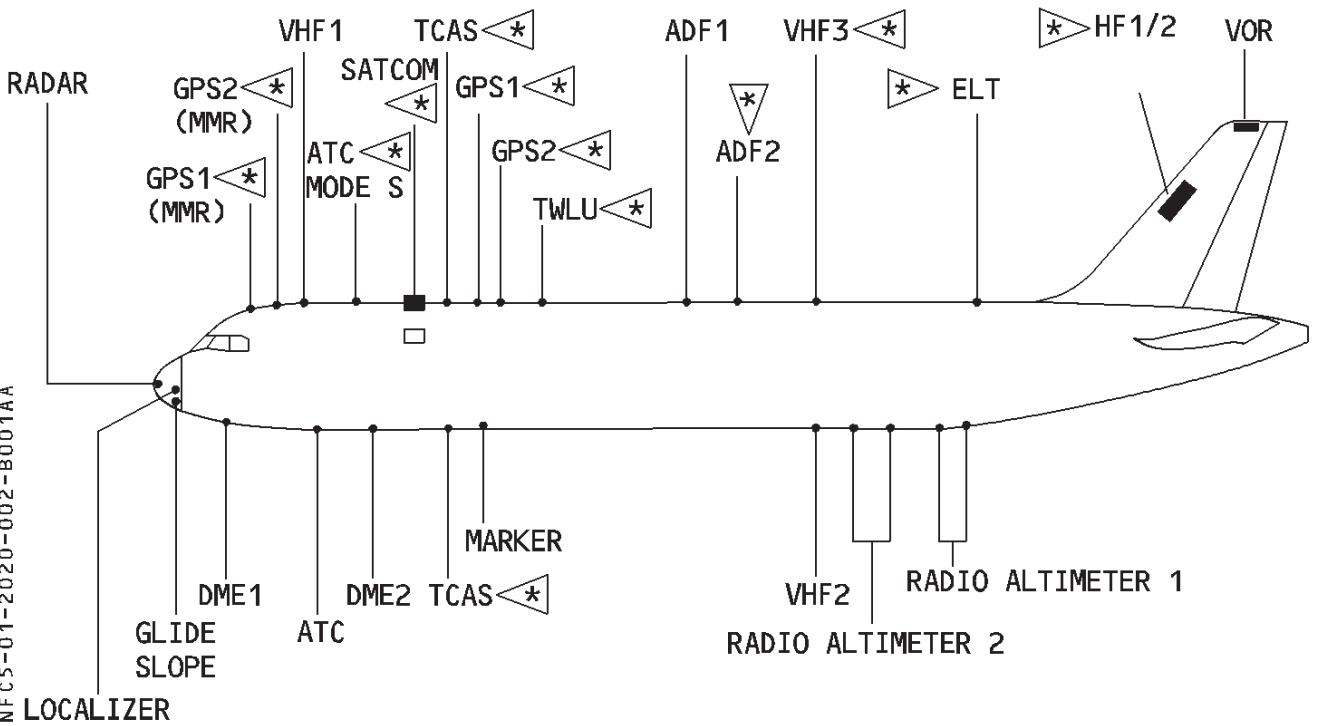
UNPRESSURIZED AREAS



NFC5-01-2020-002-A001AA

ANTENNA LOCATIONS

R



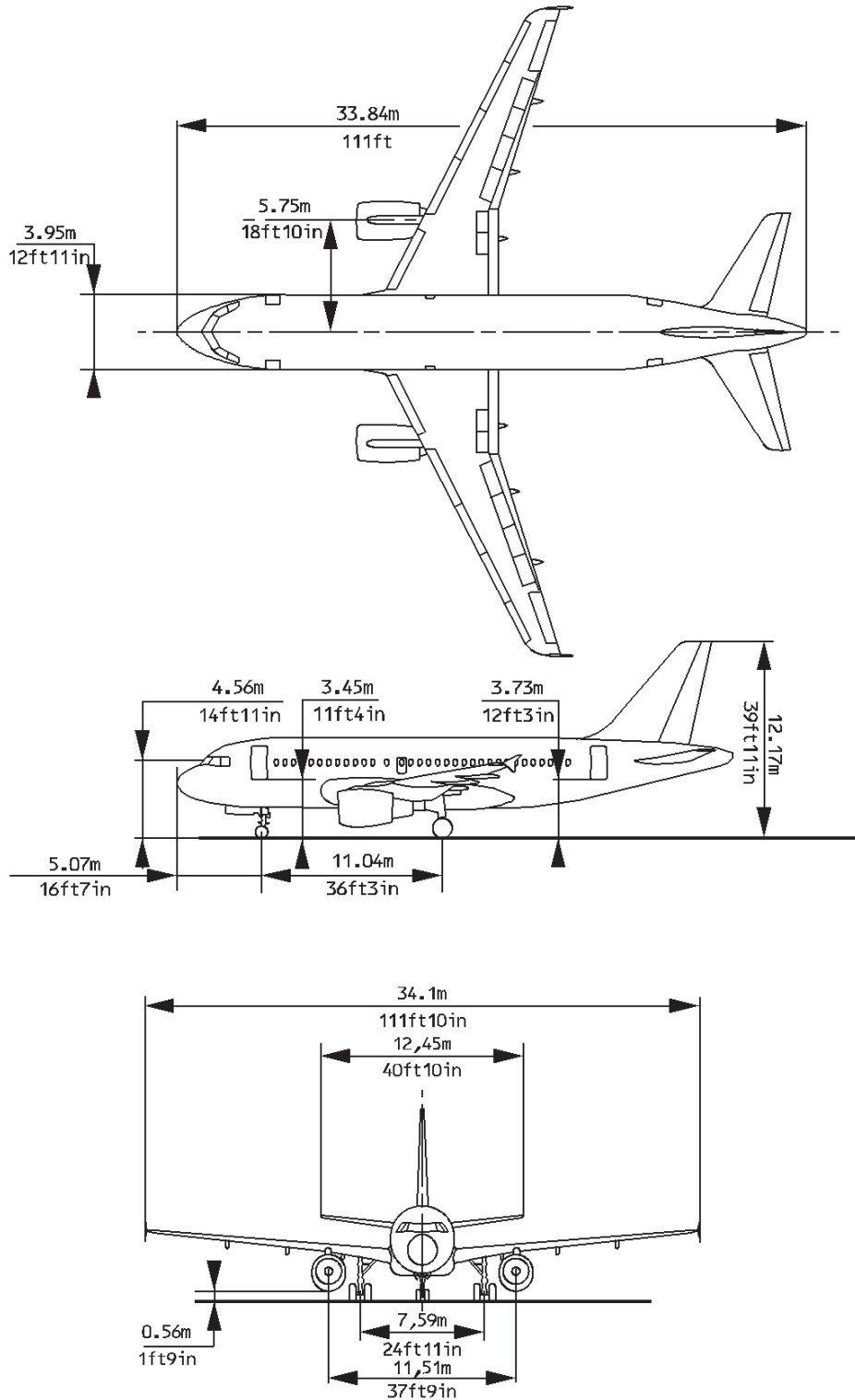
NFC5-01-2020-002-B001AA

GENERAL ARRANGEMENT

This subchapter gives the principal aircraft dimensions, location of unpressurized areas, antennas, ground service connections, and ground maneuvering characteristics.

PRINCIPAL DIMENSIONS

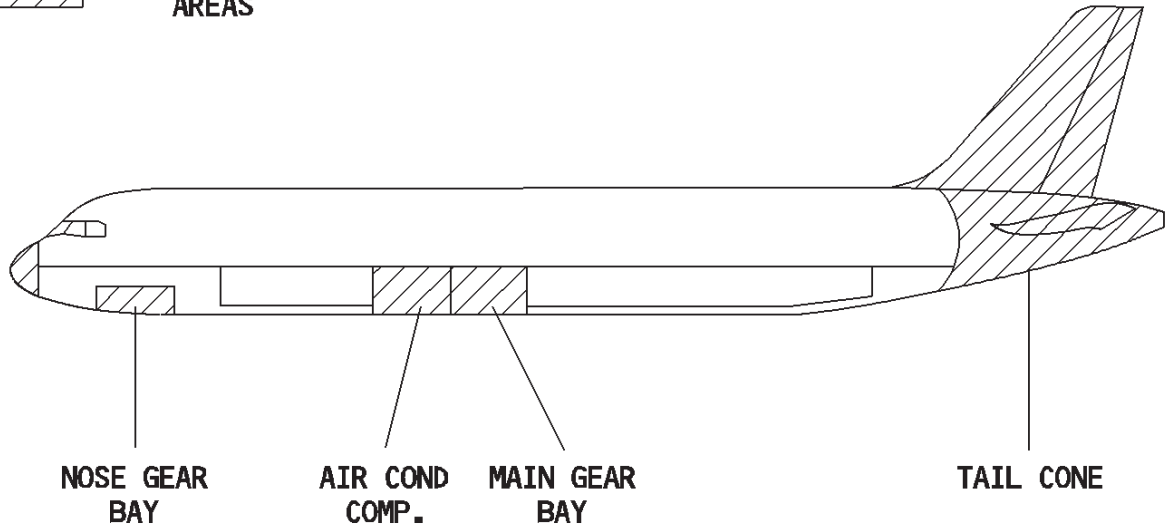
R



NFC5-01-2020-001-A100AA

UNPRESSURIZED COMPARTMENTS

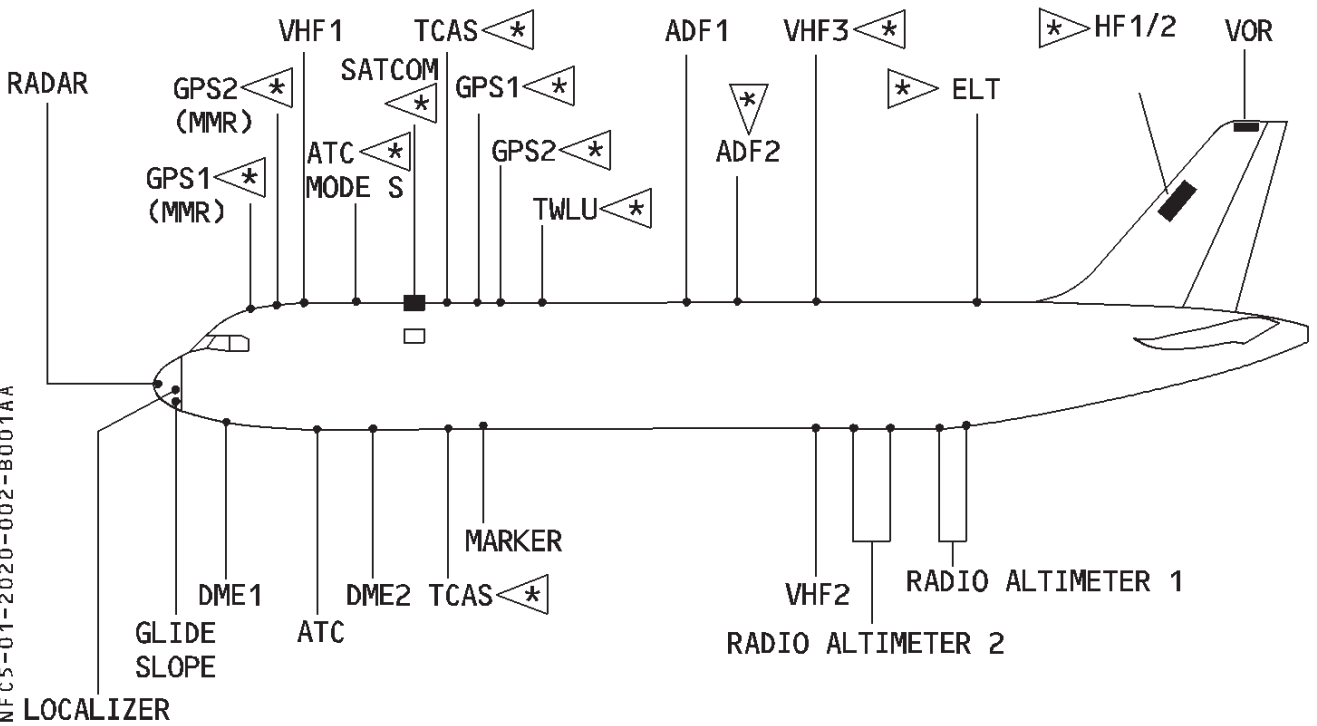
UNPRESSURIZED AREAS



NFC5-01-2020-002-A001AA

ANTENNA LOCATIONS

R

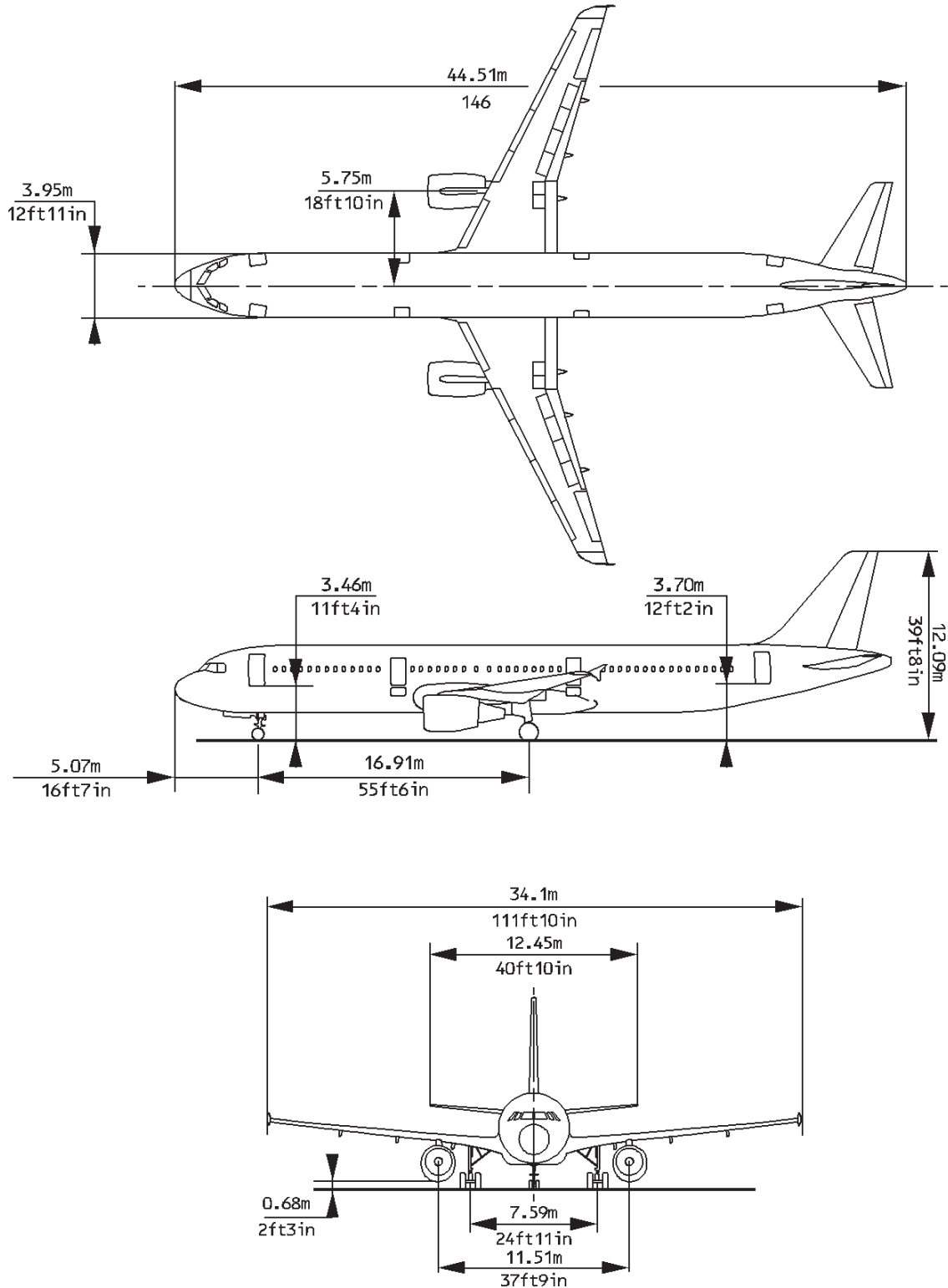


NFC5-01-2020-002-B001AA

GENERAL ARRANGEMENT

This subchapter gives the principal aircraft dimensions, and location of unpressurized areas, antennas, ground service connections and ground maneuvering characteristics.

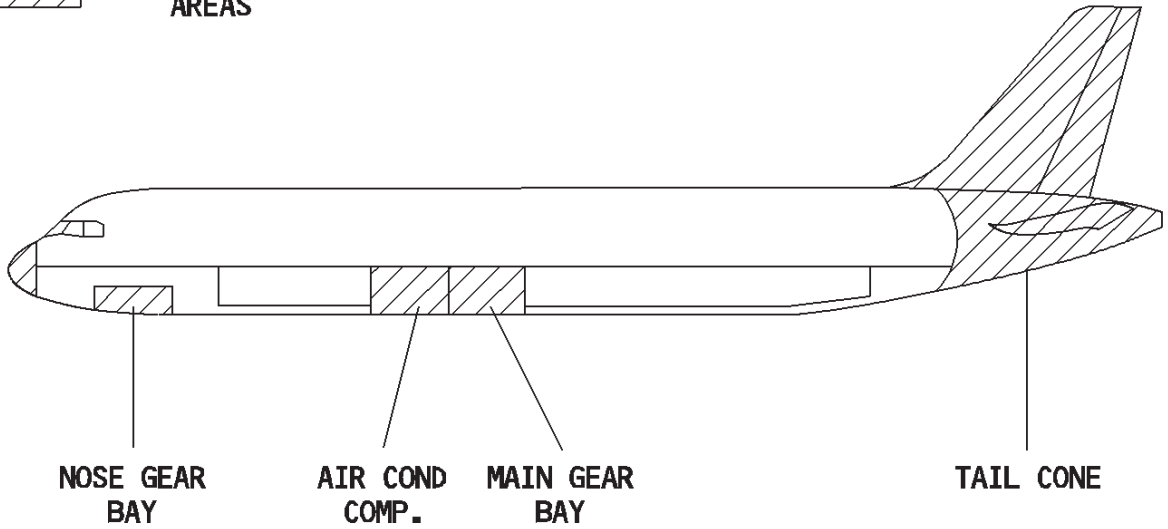
PRINCIPAL DIMENSIONS



NFC5-01-2020-001-A120AA

UNPRESSURIZED COMPARTMENTS

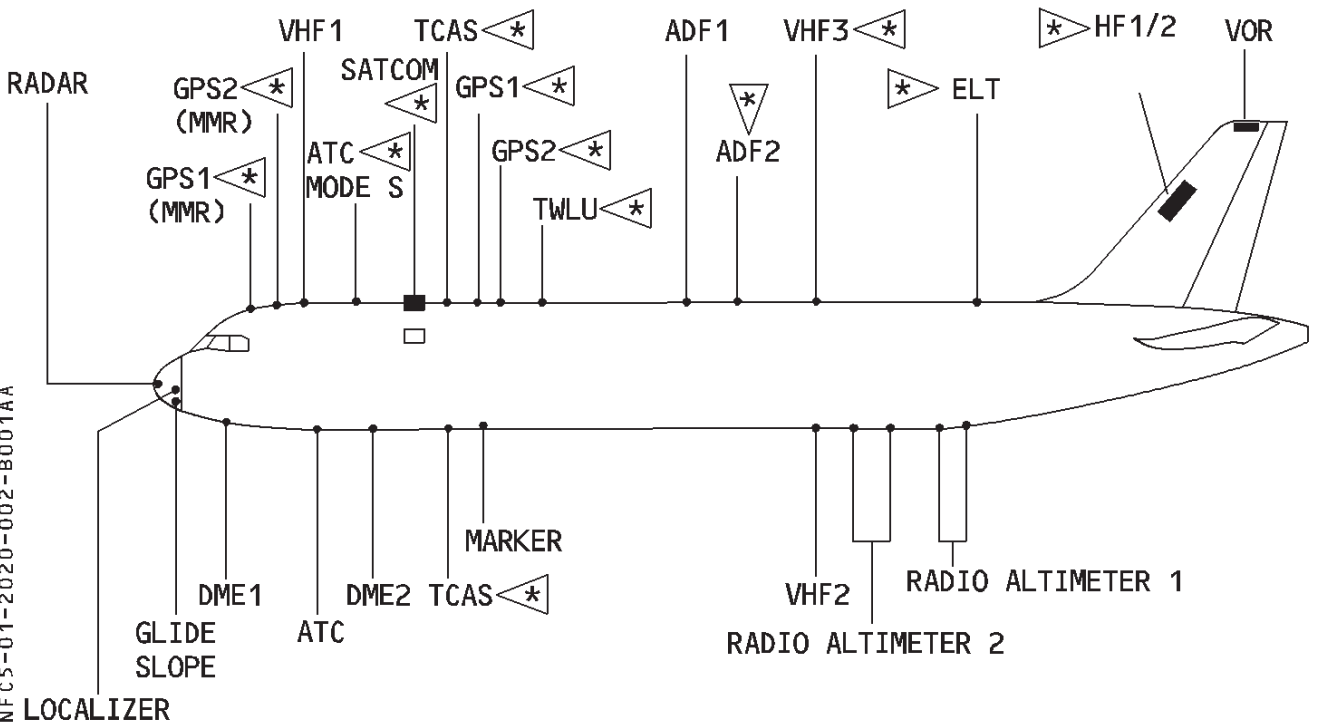
UNPRESSURIZED AREAS



NFC5-01-2020-002-A001AA

ANTENNA LOCATIONS

R

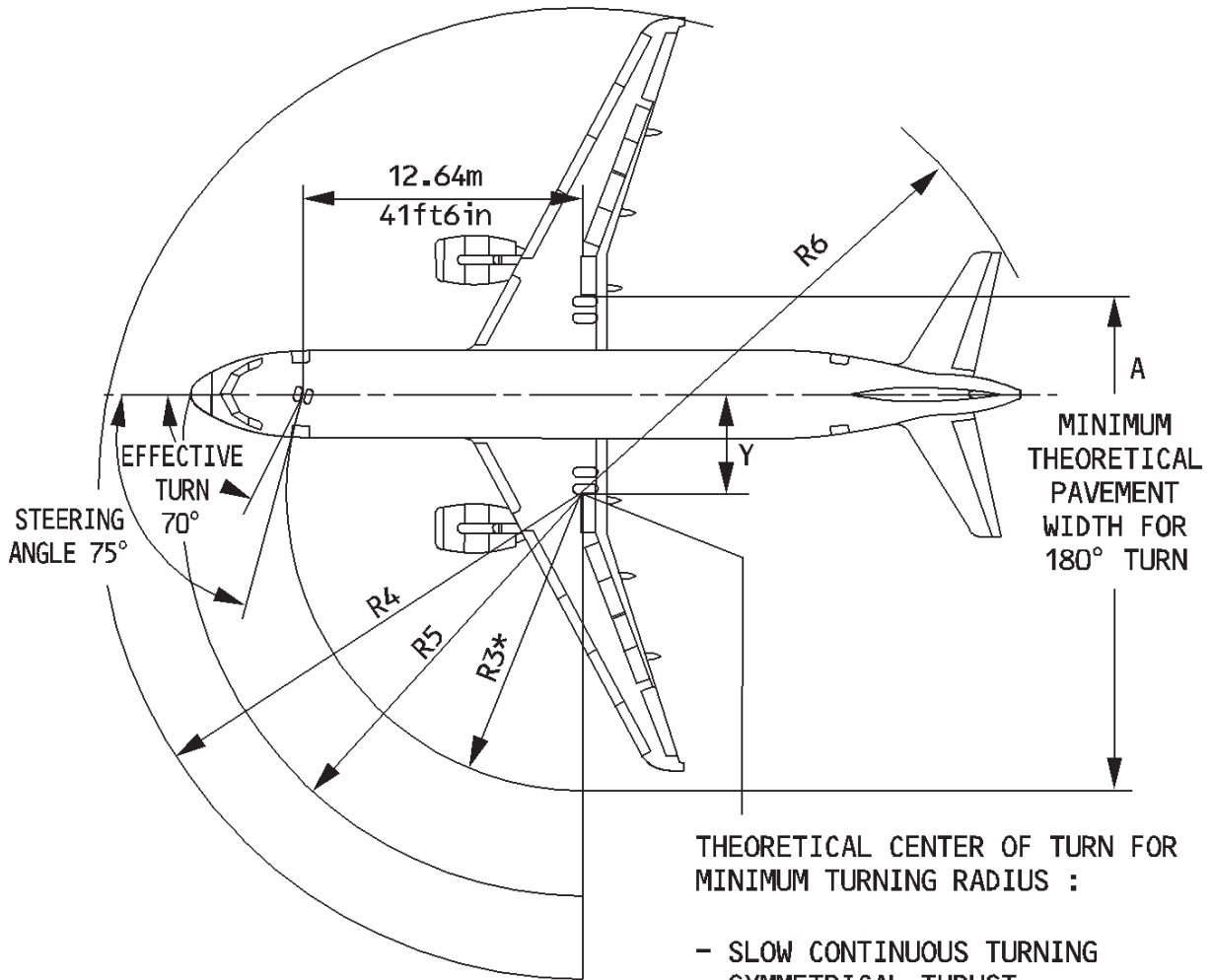


NFC5-01-2020-002-B001AA

GROUND MANEUVERING

R

MINIMUM TURNING RADIUS



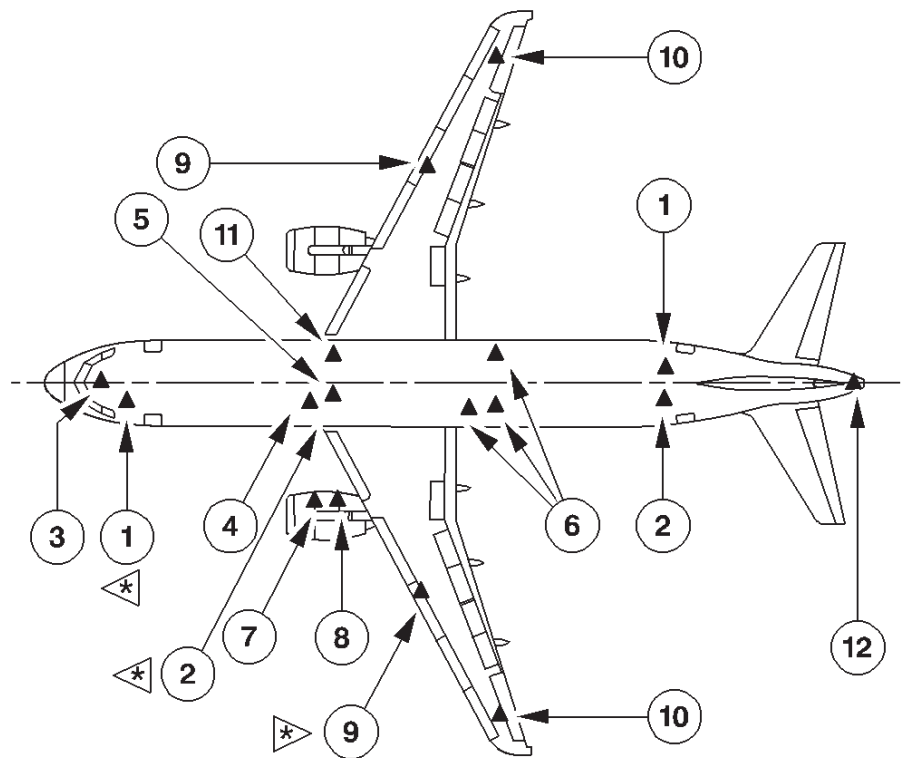
THEORETICAL CENTER OF TURN FOR MINIMUM TURNING RADIUS :

- SLOW CONTINUOUS TURNING
- SYMMETRICAL THRUST
- NO DIFFERENTIAL BRAKING
- DRY SURFACE

	Y	A	R3	R4	R5	R6
FT	15ft1in	75ft2in	45ft4in	72ft2in	60ft	71ft11in
M	4.60	22.90	13.81	21.99	18.30	21.91

* NOSE GEAR RADIUS (R3) MEASURED FROM OUTSIDE FACE OF TIRE

NFC5-01-2020-003-A100AA

R GROUND SERVICE CONNECTIONS AND PANELS


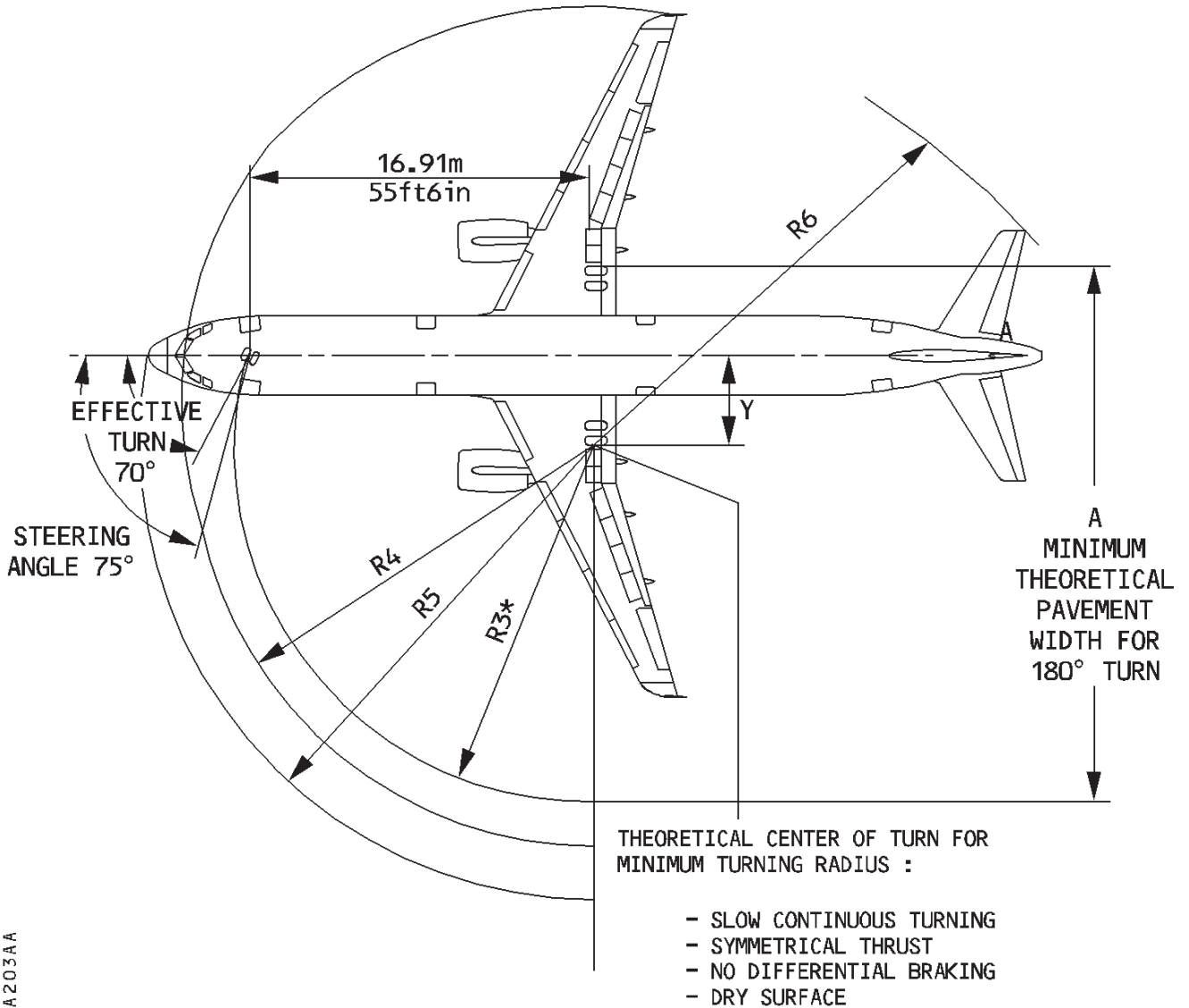
NFC5-01-2020-004-A001AA

- ① Toilet servicing
- R ② Water filling and/or draining
- R ③ Electrical ground power receptacle
- ④ LP ground air supply connector
- ⑤ HP ground air supply connector
- ⑥ Hydraulic
- ⑦ IDG oil filling
- ⑧ Engine oil filling
- ⑨ Refueling/defueling
- ⑩ Gravity filling panels
- ⑪ Refueling/defueling panel
- ⑫ APU oil filling

GROUND MANEUVERING

R

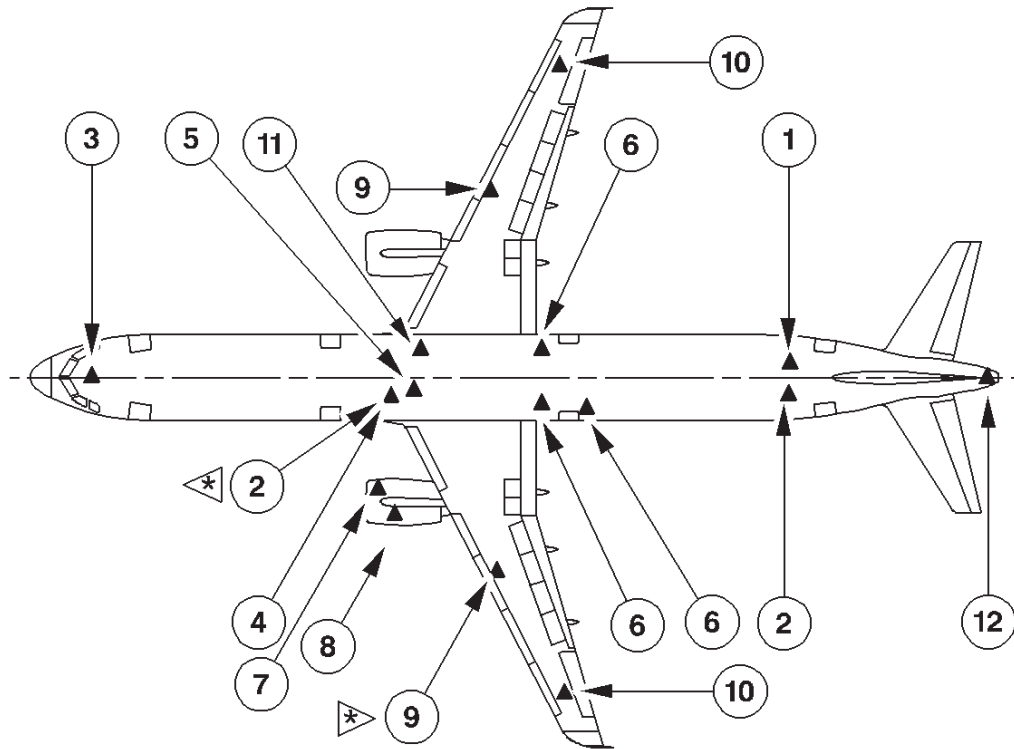
MINIMUM TURNING RADIUS



	Y	A	R3	R4	R5	R6
FT	16ft9in	90ft7in	59ft1in	74ft6in	74ft2in	80ft5in
M	5.1	27.6	18	22.7	22.6	24.5

* NOSE GEAR RADIUS (R3) MEASURED FROM OUTSIDE FACE OF TIRE

NFC5-01-2020-003-A203AA

R GROUND SERVICE CONNECTIONS AND PANELS


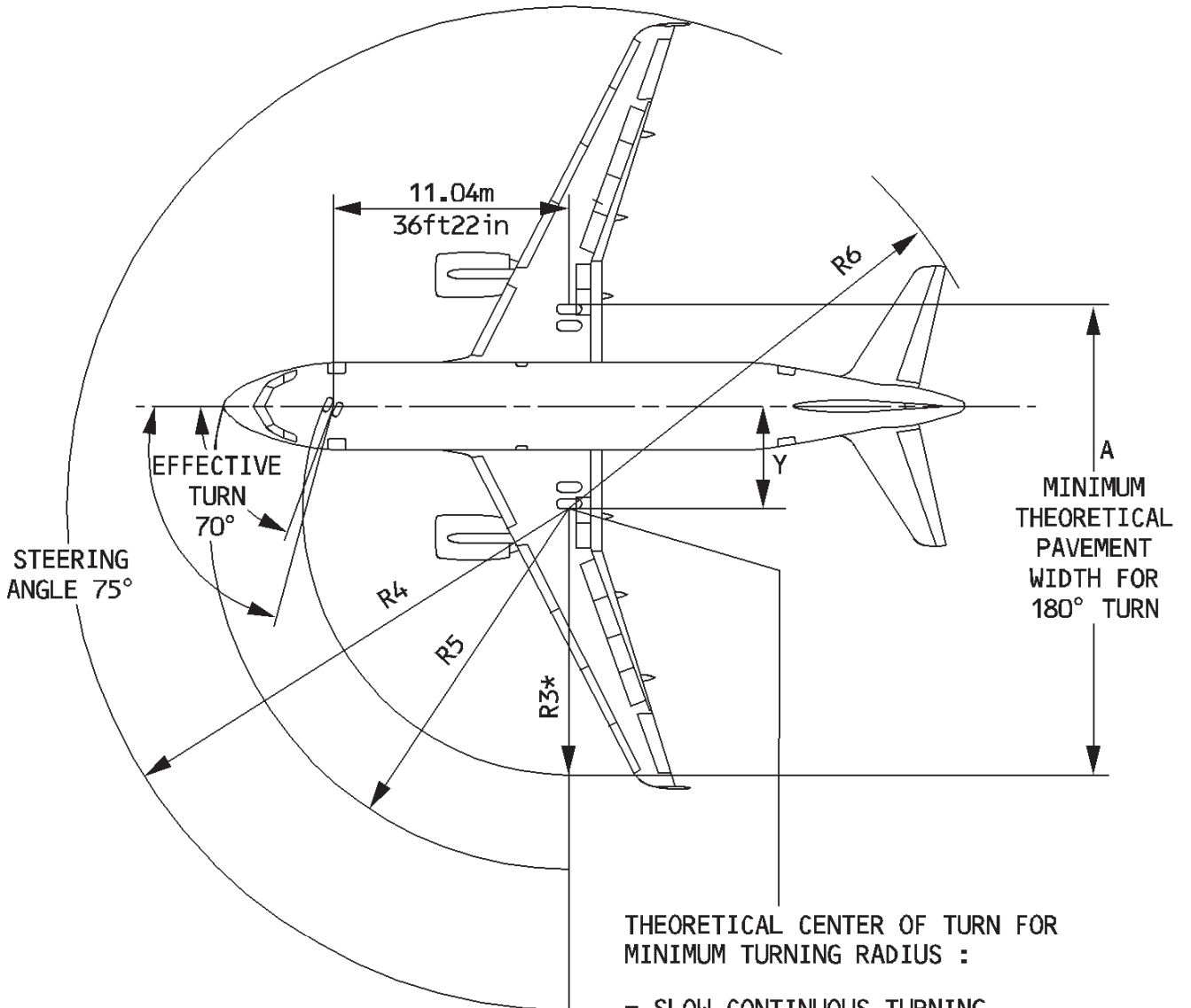
NFC5-01-2020-004-A100AA

- ① Toilet servicing
- R ② Water filling and/or draining
- R ③ Electrical ground power receptacle
- ④ LP ground air supply connector
- ⑤ HP ground air supply connector
- ⑥ Hydraulic
- ⑦ IDG oil filling
- ⑧ Engine oil filling
- ⑨ Refueling/defueling
- ⑩ Gravity filling panels
- ⑪ Refueling/defueling panel
- ⑫ APU oil filling

GROUND MANEUVERING

R

MINIMUM TURNING RADIUS



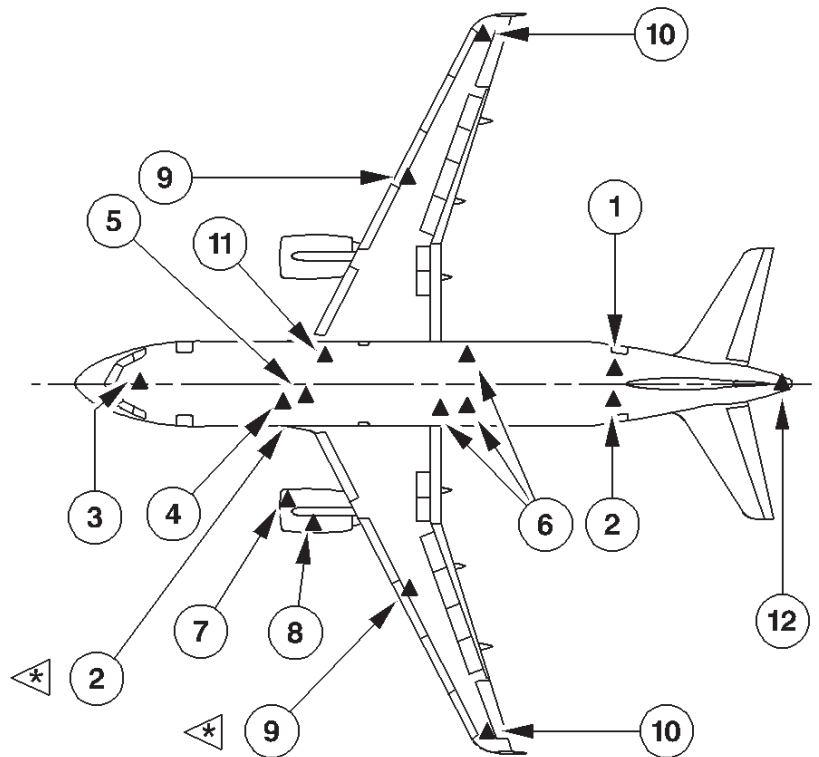
THEORETICAL CENTER OF TURN FOR MINIMUM TURNING RADIUS :

- SLOW CONTINUOUS TURNING
- APPROXIMATELY IDLE THRUST ON ALL ENGINES
- NO DIFFERENTIAL BRAKING
- DRY SURFACE

	Y	A	R3	R4	R5	R6
FT	13ft2in	67ft9in	39ft9in	70ft10in	54ft6in	64ft10in
M	4.01	20.64	12.11	21.58	16.6	19.77

* NOSE GEAR RADIUS (R3) MEASURED FROM OUTSIDE FACE OF TIRE

NFC5-01-2020-003-A206AA

R GROUND SERVICE CONNECTIONS AND PANELS


MFC5-01-2020-004-A103AA

- ① Toilet servicing
- R ② Water filling and/or draining
- R ③ Electrical ground power receptacle
- ④ LP ground air supply connectors
- ⑤ HP ground air supply connectors
- ⑥ Hydraulic
- ⑦ IDG oil filling
- ⑧ Engine oil filling
- ⑨ Refueling/defueling
- ⑩ Gravity filling panels
- ⑪ Refueling/defueling panel
- ⑫ APU oil filling